

TORO™ SEATING SERIES

2 0 2 2



ENGINEERED TO ENDURE®

NORIX

TORO Lounge Chair

Innovative durability meets traditional design with the Toro Lounge Chair from Norix Furniture. The classic look of Toro blends into a multitude of environments to help create a warm and rich ambiance, complete with easy to sanitize surfaces and sturdy construction.

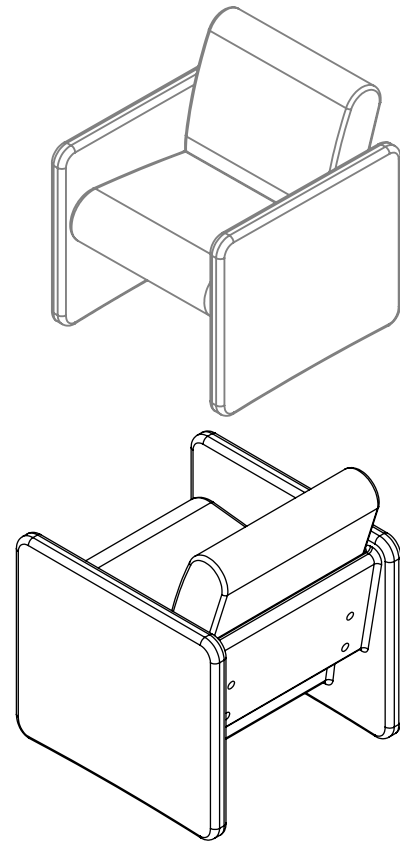
Seat Colors



Harvest



Java





TruGrain™ Warmth of Wood, Performance of Polymer

TruGrain™ mimics the warm traditional look of natural wood without the typical drawbacks such as chipping, deterioration, delamination, and ability to withstand hospital-grade cleaners. TruGrain™ is the result of years of research and development to create a realistic representation of wood complete with a natural texture and color striations. Initial impressions are universal, with many reporting that TruGrain™ is nearly indecipherable from wood.

Features

- ✓ SUPERIOR TO WOOD
- ✓ TAMPER RESISTANT
- ✓ SUPERIOR INFECTION CONTROL
- ✓ CONCEALED STAPLES
- ✓ EXTREME DURABILITY
- ✓ NON-REMOVABLE GLIDES
- ✓ BALLASTABLE
- ✓ RECYCLED CONTENT
- ✓ GREENGUARD GOLD
- ✓ HEALTHIER HOSPITALS
- ✓ MADE IN THE USA



Due to differences in monitors, printers and materials, actual product colors may vary. Color chips are available for more accurate depiction of color.

AT NORIX, WE DESIGN INNOVATIVE, ROBUST FURNITURE THAT MEETS THE REAL-WORLD NEED FOR HUMANIZING CHALLENGING ENVIRONMENTS.



Individual attributes vary by product. See specification sheet for details.



NORIX[®]

One Innovation Drive, West Chicago, Illinois 60185
Phone: 630-231-1331 | Toll Free: 800-234-4900 | Fax: 630-231-4343
2/22 | furniture@norix.com ©2022 Norix Group, Inc.

NORIX.COM